

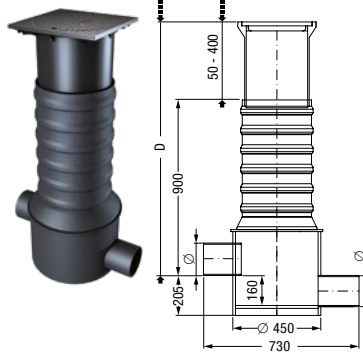
## Accessories

Grease separators for underground installation

### Sampling chamber Ø 450

#### Cover class A

**Compatibility:** For connection to outlet pipe of separators for underground installation  
**Installation depth (D):** 950 - 1300 mm  
**Drop height:** 160 mm  
**Inclusive:** Telescopic upper section with clamping ring, cover class A/B/D, sealed odour-tight  
**Extension:** 600 mm with extension section Art. no. 915 402



In-/Outlet	Art. no.
Ø 110	915 881A
Ø 160	915 882A
Ø 200	915 883A
Ø 260	915 884A
Ø 110	915 881B
Ø 160	915 882B
Ø 200	915 883B
Ø 260	915 884B
Ø 110	915 881D
Ø 160	915 882D
Ø 200	915 883D
Ø 260	915 884D

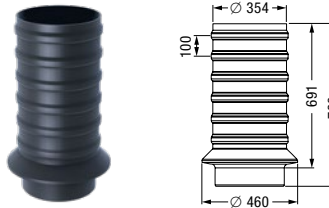
#### Cover class B

#### Cover class D

### Extension section

#### Extension section

**Compatibility:** For sampling chamber Ø 400 and Ø 450  
**Extension height:** max. 600 mm (can be shortened on-site)  
**Check maintenance accessibility!**

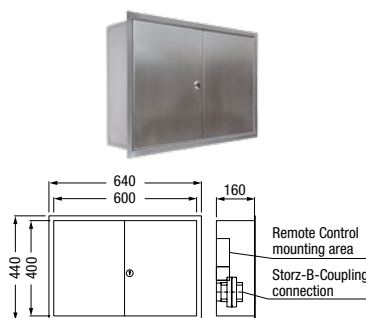


Art. no.  
915 402

### Access panel

#### Recessed wall installation

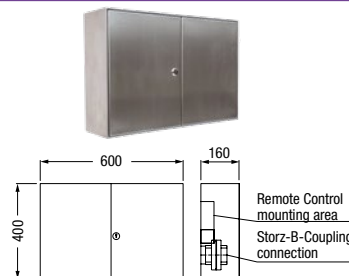
**Material:** Stainless steel  
**Compatibility:** For Storz-B disposal pipe hook up connection and remote control connection for use with fully automated grease separators. Remote control not included  
**Inclusive:** 2 doors, lockable  
**Note:** Special dimensions on request



Width × Height × Depth  
in mm  
640 × 440 × 160  
Art. no.  
917 414

#### Wall installation

**Material:** Stainless steel  
**Compatibility:** For Storz-B disposal pipe hook up connection and remote control connection for use with fully automated grease separators. Remote control not included  
**Inclusive:** 2 doors, lockable  
**Note:** Special dimensions on request



600 × 400 × 160  
Art. no.  
917 413