

## Grease separators *EasyClean* free Standard NS 2 – 10 for free-standing installation



EN 1825

### Tank

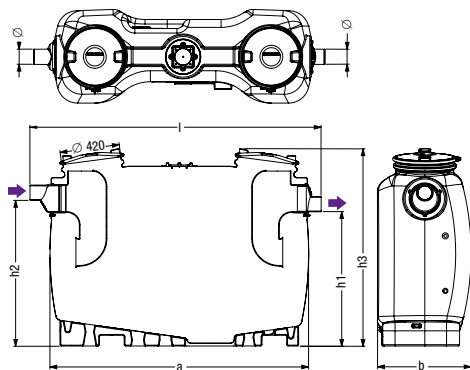
Manufactured from virgin, non-recycled polyethylene, for free standing installation in frost protected areas, with integrated sludge trap, sloped interior base improves cleaning and reduces disposal time, inlet flow calming system and outlet flow regulation device, inlet and outlet interchangeable, slanted twin access covers with quick release odour tight snap closures, integrated fork lift grips at base of separator, 100% corrosion free polyethylene body construction (20 year warranty).

### Disposal System

Standard version requires disposal truck with vacuum system for separator disposal.

**Delivery:** System completely assembled.

- **Accessories:** Sampling chamber, inspection window, refill inlet; lifting stations see chapter "3", pages 361 – 363
- **Technical note:** page 360



NS	Ø (mm)	a (mm)	Installation dimension			Weight (kg)	Sludge trap (l)	Water and grease (l)	Grease storage (l)	Total (l)	
			l × b (mm)	h1 (mm)	h2 (mm)						h3 (mm)
2	110	1500	1735 × 680	985	1055	1435	69	200	400	100	600
3	110	1500	1735 × 680	985	1055	1435	74	300	300	120	600
4	110	1880	2115 × 680	985	1055	1435	87	400	400	160	800
7	160	1910	2145 × 940	1185	1255	1655	135	700	650	280	1350
10	160	2590	2820 × 940	1185	1255	1655	181	1000	900	400	1900

*without SonicControl*      *with SonicControl*

NS	Art. no.	Art. no.
<i>Without accessories</i>		
NS 2	93 002.01	93 002.02
NS 3	93 003.01	93 003.02
NS 4	93 004.01	93 004.02
NS 7	93 007.01	93 007.02
NS 10	93 010.01	93 010.02
<i>With inspection window</i>		
NS 2	93 002.21	93 002.22
NS 3	93 003.21	93 003.22
NS 4	93 004.21	93 004.22
NS 7	93 007.21	93 007.22
NS 10	93 010.21	93 010.22
<i>With refill inlet</i>		
NS 2	93 002.11	93 002.12
NS 3	93 003.11	93 003.12
NS 4	93 004.11	93 004.12
NS 7	93 007.11	93 007.12
NS 10	93 010.11	93 010.12
<i>With inspection window and refill inlet</i>		
NS 2	93 002.31	93 002.32
NS 3	93 003.31	93 003.32
NS 4	93 004.31	93 004.32
NS 7	93 007.31	93 007.32
NS 10	93 010.31	93 010.32

Ø = Outer diameter      b1 = Set-up dimensions

