

Grease separators *EasyClean* free Direct NS 2 – 10 for free-standing installation



EN 1825

Tank

Manufactured from virgin, non-recycled polyethylene, for free standing installation in frost protected areas, with integrated sludge trap, sloped interior base improves cleaning and reduces disposal time, inlet flow calming system and outlet flow regulation device, inlet and outlet interchangeable, slanted twin access covers with quick release odour tight snap closures, 75 mm OD PN 10 pressure disposal pipe, with integrated fork lift grips at base of separator, low weight - compact design, 100% corrosion free polyethylene body construction (20 year warranty).

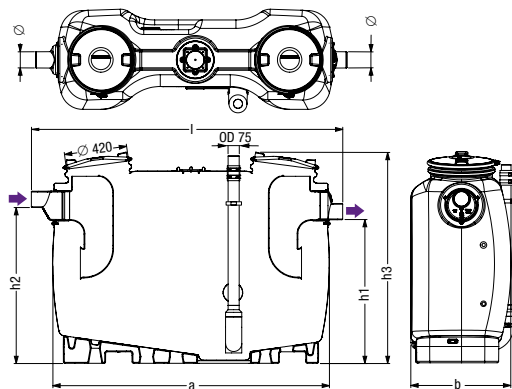
Disposal System

Direct version with factory installed pressure pipe suction outlet - requires disposal truck with vacuum system for separator disposal, disposal is completely odour free.

Delivery: System completely assembled.

➤ **Accessories:** Sampling chamber, inspection window, refill inlet; lifting stations see chapter "3", pages 361 – 363

➤ **Technical note:** page 360



without SonicControl *with SonicControl*

NS	Art. no.	Art. no.
Without accessories		
NS 2	93 002.01/D	93 002.02/D
NS 3	93 003.01/D	93 003.02/D
NS 4	93 004.01/D	93 004.02/D
NS 7	93 007.01/D	93 007.02/D
NS 10	93 010.01/D	93 010.02/D

With inspection window		
NS 2	93 002.21/D	93 002.22/D
NS 3	93 003.21/D	93 003.22/D
NS 4	93 004.21/D	93 004.22/D
NS 7	93 007.21/D	93 007.22/D
NS 10	93 010.21/D	93 010.22/D

With refill inlet		
NS 2	93 002.11/D	93 002.12/D
NS 3	93 003.11/D	93 003.12/D
NS 4	93 004.11/D	93 004.12/D
NS 7	93 007.11/D	93 007.12/D
NS 10	93 010.11/D	93 010.12/D

With inspection window and refill inlet		
NS 2	93 002.31/D	93 002.32/D
NS 3	93 003.31/D	93 003.32/D
NS 4	93 004.31/D	93 004.32/D
NS 7	93 007.31/D	93 007.32/D
NS 10	93 010.31/D	93 010.32/D

NS	Ø (mm)	a (mm)	Installation dimension			Weight (kg)	Sludge trap (l)	Water and grease (l)	Grease storage (l)	Total (l)	
			l × b (mm)	h1 (mm)	h2 (mm)						h3 (mm)
2	110	1500	1735 × 680	985	1055	1435	69	200	400	100	600
3	110	1500	1735 × 680	985	1055	1435	74	300	300	120	600
4	110	1880	2115 × 680	985	1055	1435	87	400	400	160	800
7	160	1910	2145 × 940	1185	1255	1655	135	700	650	280	1350
10	160	2590	2820 × 940	1185	1255	1655	181	1000	900	400	1900

Ø = Outer diameter b1 = Set-up dimensions

