

## Box channel *Ferrofix* with glue flange

System 125

for installation in a concrete slab, flange height 15 mm

**Material:** Stainless steel AISI 304, material thickness 2.0 mm, acid-treated in pickling bath, ground visible edges

**Version:**

- Longitudinal and transverse slopes
- Feet for height adjustment
- Drain pipes in stainless steel
- Channel profile for shallow bed waterproofing, with adhesive jointing edge 15 mm deep and folded 50 mm outwards, all round, with welded mitring

**Cover:**

- Slotted cover in stainless steel AISI 304
- Anti-slip R12
- Acid-treated in pickling bath
- Mesh width 23 × 23 mm
- Load class L 15 (1.5 ton.)

➤ **Optional as accessory:**

Matching drain body System 125 see page 273

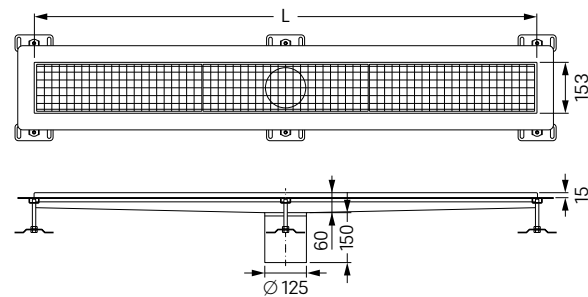


Illustration shows B = 153 mm

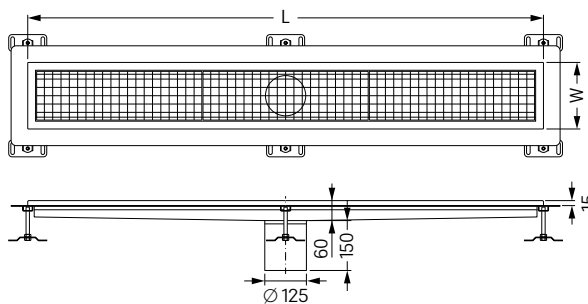


Illustration shows B = 200 / 300 / 400 mm

**Dimensions W×L×H in mm**

**Art. no.**

153×511×60	60 15 050*
153×1011×60	60 15 100*
153×1511×60	60 15 150*
153×2011×60	60 15 200*
153×2511×60	60 15 250
153×3011×60	60 15 300
<hr/>	
200×550×60	60 20 050
200×1050×60	60 20 100
200×1550×60	60 20 150
200×2050×60	60 20 200
200×2550×60	60 20 250
200×3050×60	60 20 300
<hr/>	
300×550×60	60 30 050*
300×1050×60	60 30 100*
300×1550×60	60 30 150*
300×2050×60	60 30 200*
300×2550×60	60 30 250
300×3050×60	60 30 300
<hr/>	
400×550×60	60 40 050
400×1050×60	60 40 100
400×1550×60	60 40 150
400×2050×60	60 40 200
400×2550×60	60 40 250
400×3050×60	60 40 300

\* available ex stock