

Lifting station *Aqualift S 200 Duo Tronic* for free-standing installation and wastewater without sewage



EN 12050-2

Lifting station for wastewater without sewage, free-standing set-up, preassembled for final installation on site.

- With odour-tight cover and quick-release closure for easy maintenance
- Tank made of PE, resistant to aggressive wastewater
- Including backflow preventer for the pressure pipe
- Including socket Ø 110 and Ø 160 mm for inlet and sampling
- Pumps with multi-vane impeller for maximum operating reliability

Version:

Type of system: Twin station / Pump control: Control unit / Backflow preventer: integrated / Installation situation: free-standing set-up / Type of wastewater: wastewater without sewage

General characteristics:

Colour: black / Standard: EN 12050-2

Dimensions:

Length: 670 mm / Width: 655 mm / Height: 815 mm

Tank:

Inlet nominal size (Ø): 110 – 160 mm / Tank volume: 220 l

Pressure pipe connection (Ø): 63 mm

Pumping volume: 100 l

Coverage features:

Cover material: Polymer / Colour of cover: violet / Tightness: odour-tight / Locking: Quick-release closure

Free passage: 30 mm

Pump:

Type of fuse required (electrical protection): C 16 A /

Max. temperature (permanent) of conveyed material: 40 °C / Connection type: coded plug /

Length of mains cable for pump: 5 m /

Protection class (pump): IP 68 (3 m) /

Type of pump connection cable: H07RN-F 3G 1.0 mm²

Comfort control unit:

Including: Self-diagnosis system (SDS), battery buffering, multi-line digital display, log book function, USB interface, GSM interface / Potential-free contact: optional / Protection class control unit: IP 54 / Length of mains cable for control unit: 1.4 m / Type of level measurement: pneumatic / Alarm sensor: Immersion pipe

Note: Pumps available as resistant versions on request: individual@kessel.de

➤ **Accessories:** page 134 – 141



Illustration shows Art. no. 28 518

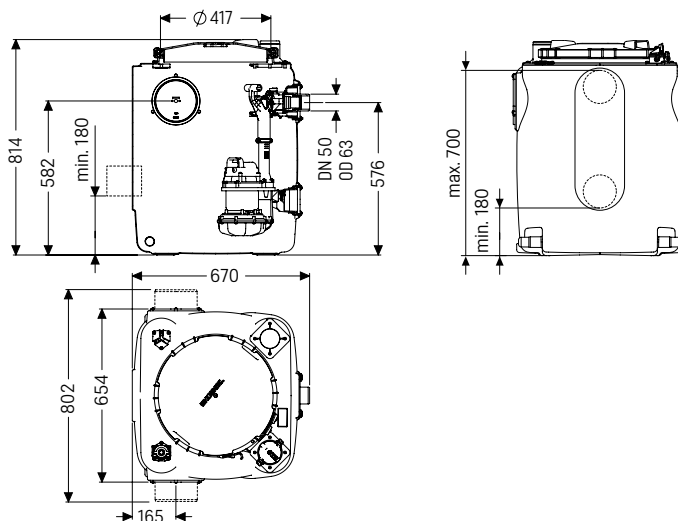
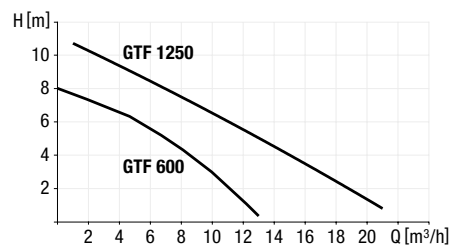


Illustration shows.: Art. no. 28 518

Duo version with two pumps

GTF pump	Voltage	Art. no.
600-S1	230 V	28 517
1250-S1	230 V	28 518

Pumping capacity



Pump type	Voltage	Current	Power (P1/P2)	RPM	Pumping height	Pumping capacity
GTF 600-S1*	230 V ~ 50 Hz	2.9 A	0.65 kW / 0.4 kW	2750 min ⁻¹	8 m	12 m ³ /h
GTF 1250-S1*	230 V ~ 50 Hz	5.4 A	1.3 kW / 0.8 kW	2700 min ⁻¹	11 m	20 m ³ /h

* Definition of S1-pump see page 101