

# Oil/fuel and coalescence separator *EasyOil* ground

For underground installation



Fig. 1

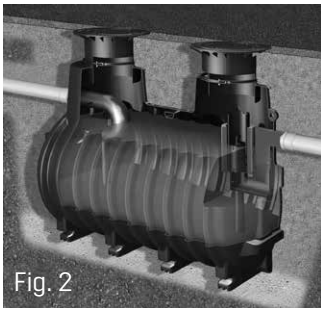
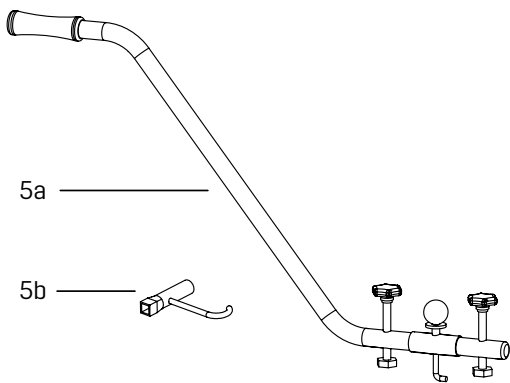
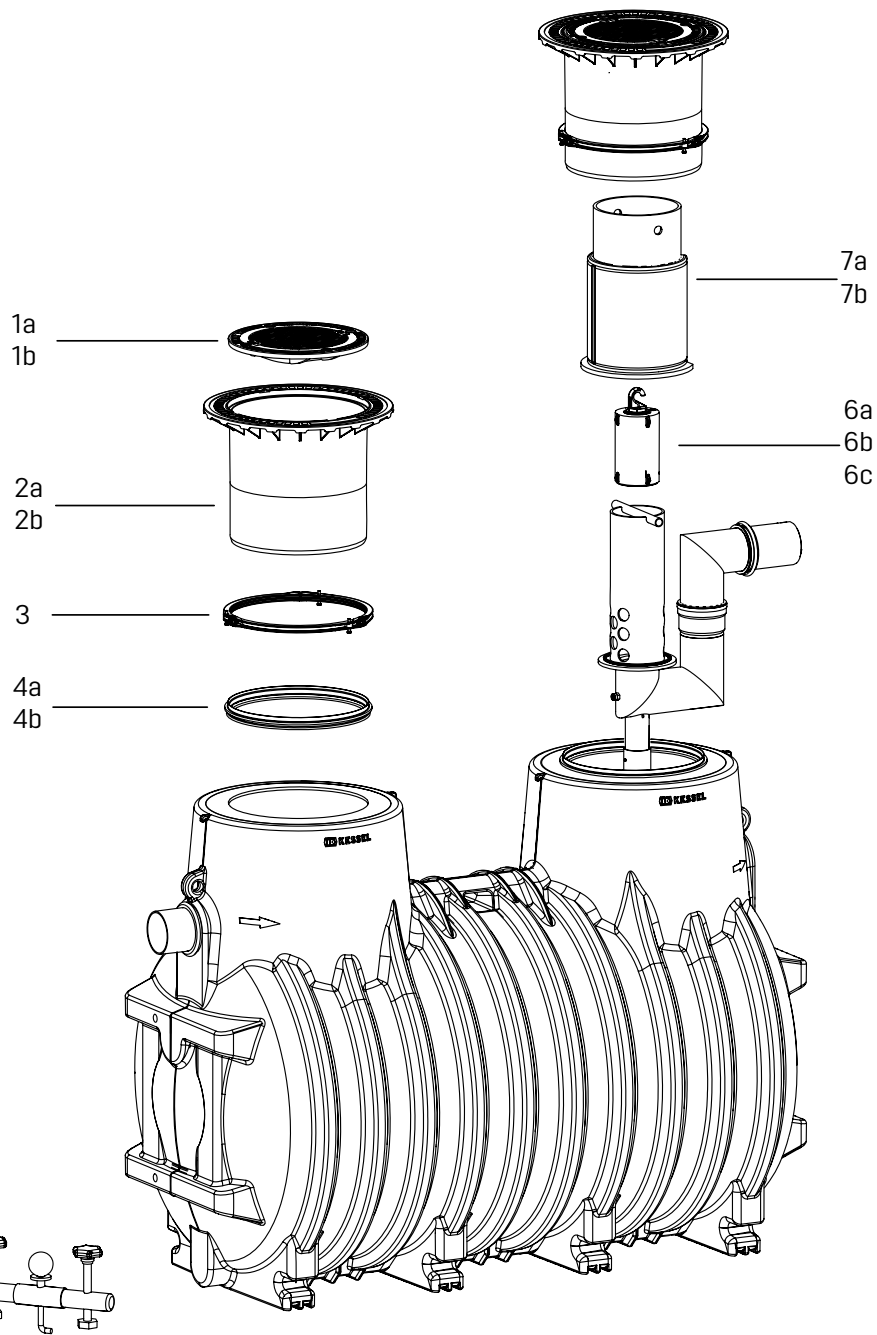


Fig. 2



Item	Designation	Art. no.	Item	Designation	Art. no.
1	Cover plate made of grey cast iron		4b	Ø 630, for cistern (Figure 2) NS 7 - 35, beginning model year 01/2015	860 104
1a	class A/B, unlocked	680 321	5a	Lifting tool, Goliath, for chamber cover plates	917 112
1b	class D, unlocked	680 322	5b	Removal key for cover plates	680 278
2	Upper section		6	Floater	
2a	class B, Ø 630, surface water resistant	680 324	6a	with density 0.97 g/cm <sup>3</sup>	680 299
2b	class D, Ø 630, with clamping ring	860 141	6b	with density 0.92 g/cm <sup>3</sup> (standard)	680 300
3	Clamping ring for upper section, Ø 600	680 276	6c	with density 0.87 g/cm <sup>3</sup>	680 301
4	Lip seal		7	Coalescence filter	
4a	for chamber system (Fig. 1) current version up to NS 4: for cistern (Figure 2) NS 7 - 35, up to model year 12/2014	860 116	7a	for cisterns (Figure 2)	917 805
			7b	for chambers (Figure 1)	917 816