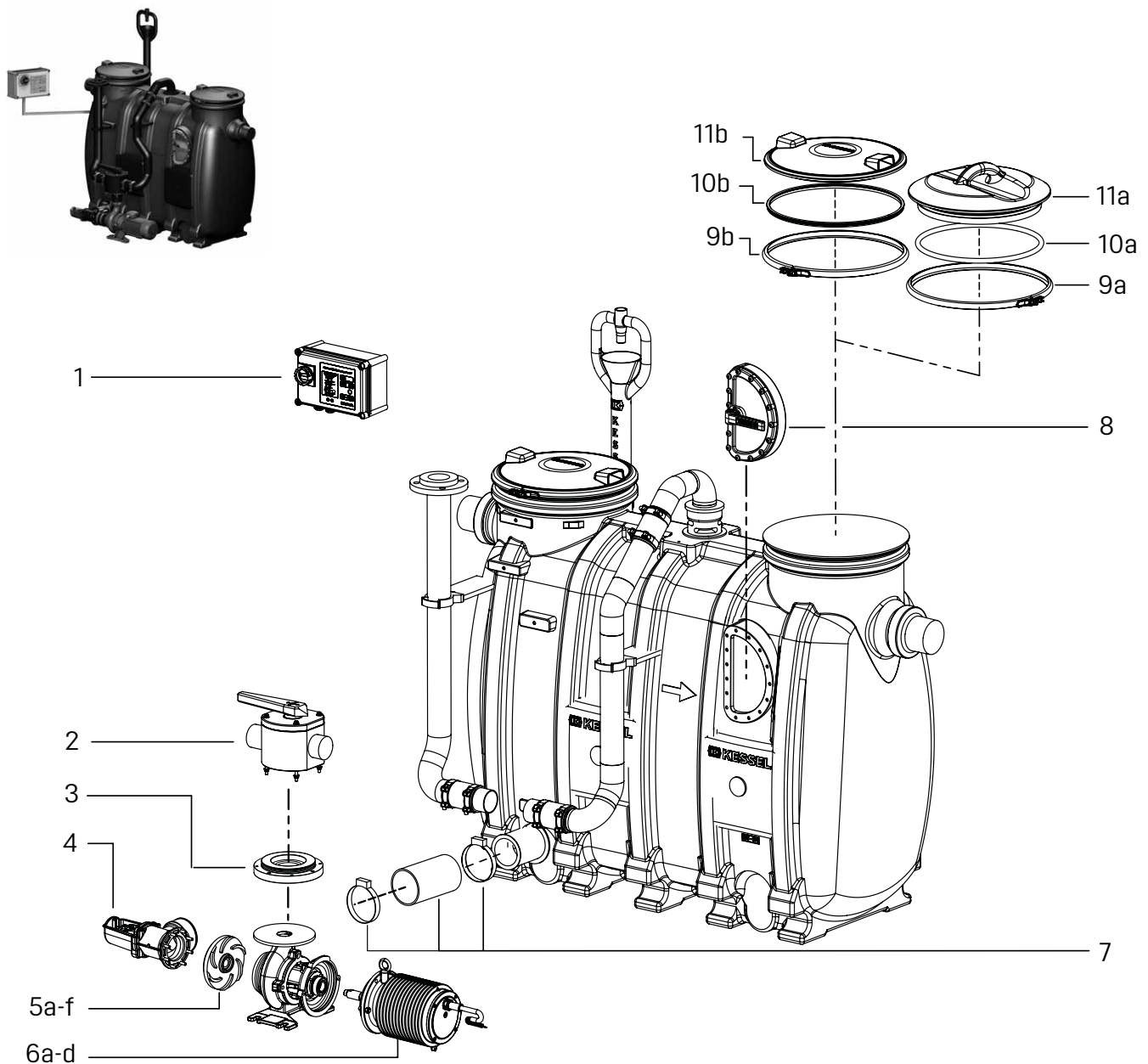


Grease separator Euro "E+S" M

Free-standing set-up, up to model year 09/2013



Item	Designation	Art. no.	Item	Designation	Art. no.
1	Control unit for Mix & Pump 2.6/3.0 and 4.0 kW	680 341	6c	SPF 400 KE, 4.0 kW	680 331
2	Valve, 2-way redistributer, with lever	680 274	6d	SPF 550 KE, 5.5 kW	680 332
3	Adapter for grease separator pump	680 590	7	Flexible coupling Ø 110, for pressure pipes (hose with 2 clamps)	28 663
4	Shut-off valve Ø 110, polymer, horizontal	680 329	8	Inspection window for Euro grease separator	680 589
5a	Radial impeller with cutting plate and agitator for 2.6 kW	917 850	9	Clamp fastener	
5b	Radial impeller with cutting plate and agitator for 3.0 kW	917 854	9a	for cover Ø 420, up to model year 03/2004	680 325
5c	Radial impeller with cutting plate and agitator for 4.0 kW	917 851	9b	for cover Ø 420, beginning model year 04/2004	917 004
5d	Radial impeller with cutting plate and agitator for 5.5 kW	917 852	10	Seal	
5e	Cutting plate for 2.6/4.0 and 5.5 kW	917 853	10a	for cover Ø 420, up to model year 03/2004	680 217
5f	Cutting plate for 3.0 kW	917 855	10b	for cover Ø 420, beginning model year 04/2004	917 204
6	Replacement pump		11	Cover	
6a	SPF 260 KE, 2.6 kW	680 330	11a	Ø 420, up to model year 03/2004	680 326
6b	SPF 300 KE 2.0, homogeniser, 3.0 kW	917 856	11b	Ø 420, beginning model year 04/2004	916 904