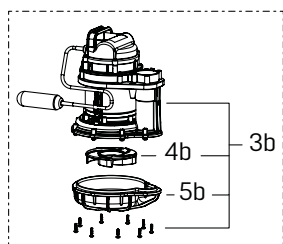
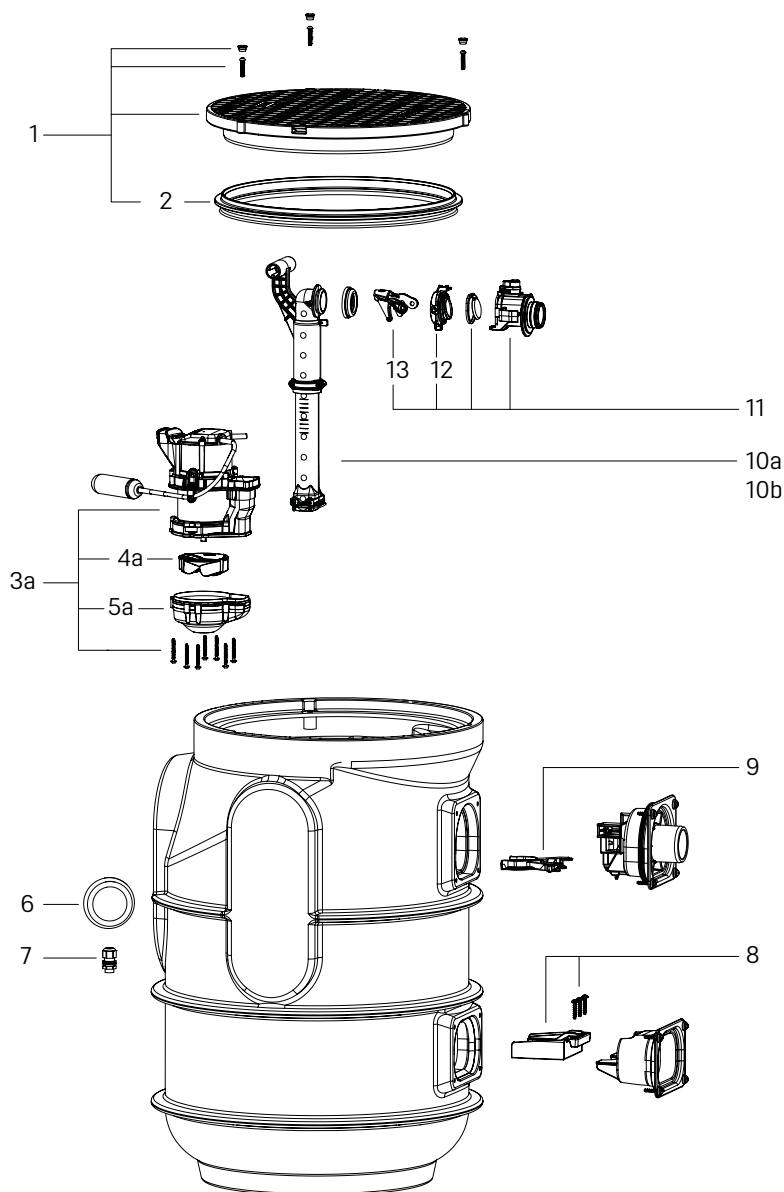


# Pumping station *Aqualift S Basic Mono*

Installation in the ground



Item	Designation	Art. no.	Item	Designation	Art. no.
1	Cover plate round for <i>Aqualift F Basic</i> , with screws and seal	680 801	7	Cable gland with hexagon nut	680 812
2	Profiled lip seal	680 150	8	Pump hanger for pumping station <i>Aqualift S Basic</i>	
3	Replacement pump <i>Aqualift F Basic</i>		8a	GTF 600 Mono	680 967
3a	for GTF 600 with float switch	680 963	8b	GTF 1250 Mono	680 968
3b	for GTF 1250 with float switch	680 965	9	Holder pressure pipe for <i>Aqualift S</i>	680 969
4	Impeller		10	Pressure pipe Ø 32 for Pumping station <i>Aqualift S Basic</i>	
4a	GTF 600 for <i>Aqualift S Basic</i>	680 887	10a	GTF 600	680 961
4b	GTF 1250 for <i>Aqualift S Basic</i>	680 804	10b	GTF 1250	680 962
5	Spiral housing		11	Flap housing Mono, with pressure pipe connection	680 761
5a	GTF 600 for <i>Aqualift S Basic</i>	680 888	12	Pressure pipe connection	680 760
5b	GTF 1250 for <i>Aqualift S Basic</i>	680 998	13	One-handed closure for pump	680 380
6	Conduit pipe seal Ø 110	850 117			