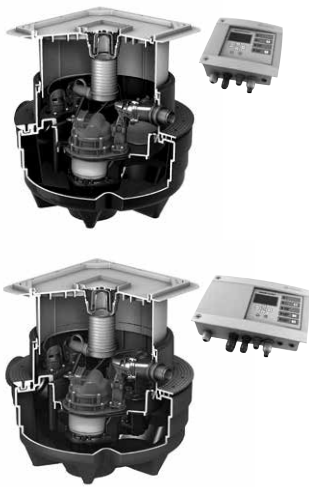
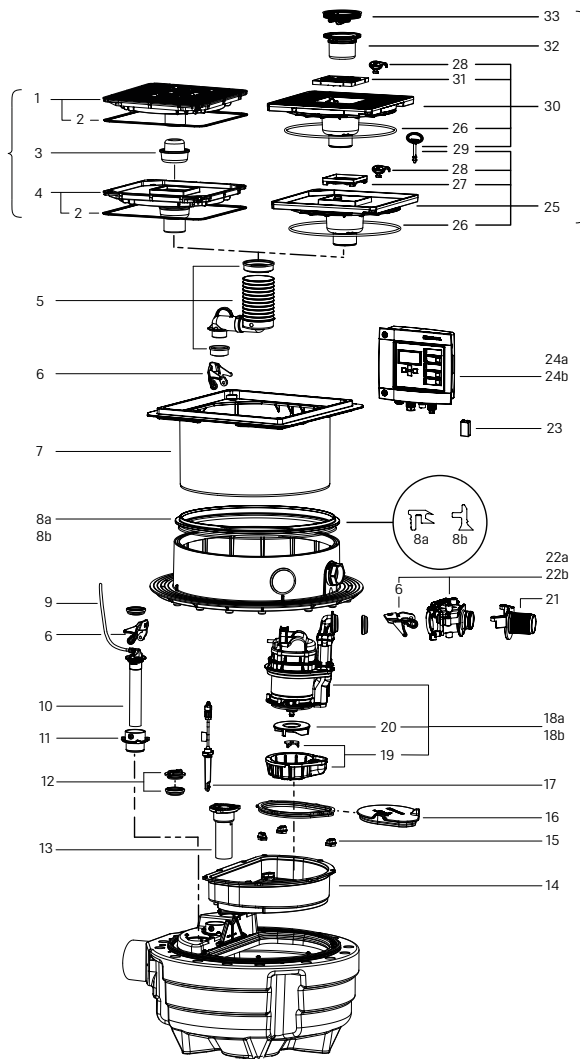
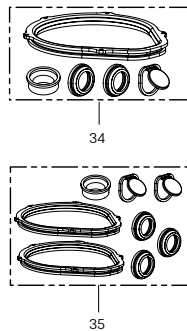


# Lifting station *Aqualift F Compact Mono/Duo*

Installation in the floor slab, beginning model year 02/2017



Cover plates up to model year 01/2020



Cover plates beginning model year 02/2020

Item	Designation	Art. no.	Item	Designation	Art. no.
1	Cover plate, black with drain and seal, up to model year 01/2020	83 046	19	Replacement blade set for KTP 1000 / SPZ 1000, with screws	28 075
2	Seal for cover plate 384 × 384 mm	680 025	20	Impeller KTP/SPZ 1000, without intake cover	680 035
3	Odour trap, sealing water height 50 mm	47 200	21	Threaded connection for <i>Aqualift F Compact</i>	680 676
4	Cover plate, stone grey, tileable, with drain and seal, up to 01/2020	83 055	22	Pump coupling with one-handed closure	
5	Connector, drain Ø 75, with seal and rubber seal	680 075	22a	Mono, beginning model year 01/2016	680 486
6	One-handed closure for backflow preventer	680 018	22b	Duo, beginning model year 01/2016	680 487
7	Upper section, height up to 170 mm, beginning model year 02/2020	830 061	23	Battery, 9 V block	680 034
8	Profiled lip seal for upper section		24	Control unit	
8a	up to model year 06/2014	680 026	24a	Comfort <i>Aqualift Mono</i> , 230 V	28 731
8b	beginning model year 07/2014	680 150	24b	Comfort <i>Aqualift Duo</i> , 230 V	28 746
9	Pressure hose, 6 × 4 mm, 100 natural (sold by the metre)	680 071	25	Cover plate, stone grey, tileable, with drain and seal, beginning 02/2020	830 055
10	Immersion pipe <i>Aqualift F Compact</i> , 5 m hose, with horizontal pressure pipe connection	28 744	26	Seal for cover plate, System 330 mm	686 114
11	Immersion pipe connector	28 734	27	Drain cover, tileable, Lock & Lift, ABS	680 224
12	Cover with seal	680 076	28	Release key for <i>Lock &amp; Lift</i> insert gratings	680 702
13	Splash protection set for optical probe	28 706	29	Release key for <i>Lock &amp; Lift</i> cover plates	67 007
14	Pump plate	28 733	30	Cover plate, black with drain and seal, beginning model year 02/2020	830 056
15	Turn fastener for pump (1 ea.)	680 070	31	Slotted insert grating, 138 × 138 mm, polymer	60 101S
16	Cover, <i>Aqualift F Compact</i> pump opening	28 732	32	Odour trap	680 696
17	Optical probe with 3 adapters, 5 m cable	80 888	33	Odour trap, <i>Multistop</i> , System 125	48 500
18a	Replacement pump KTP/SPZ 1000, 230 V, with extended pressure pipe	28 739	34	Seal set for <i>Aqualift F Compact Mono</i>	680 453
18b	Replacement pump SPZ 1000 resistant	680 951	35	Seal set for <i>Aqualift F Compact Duo</i>	680 454