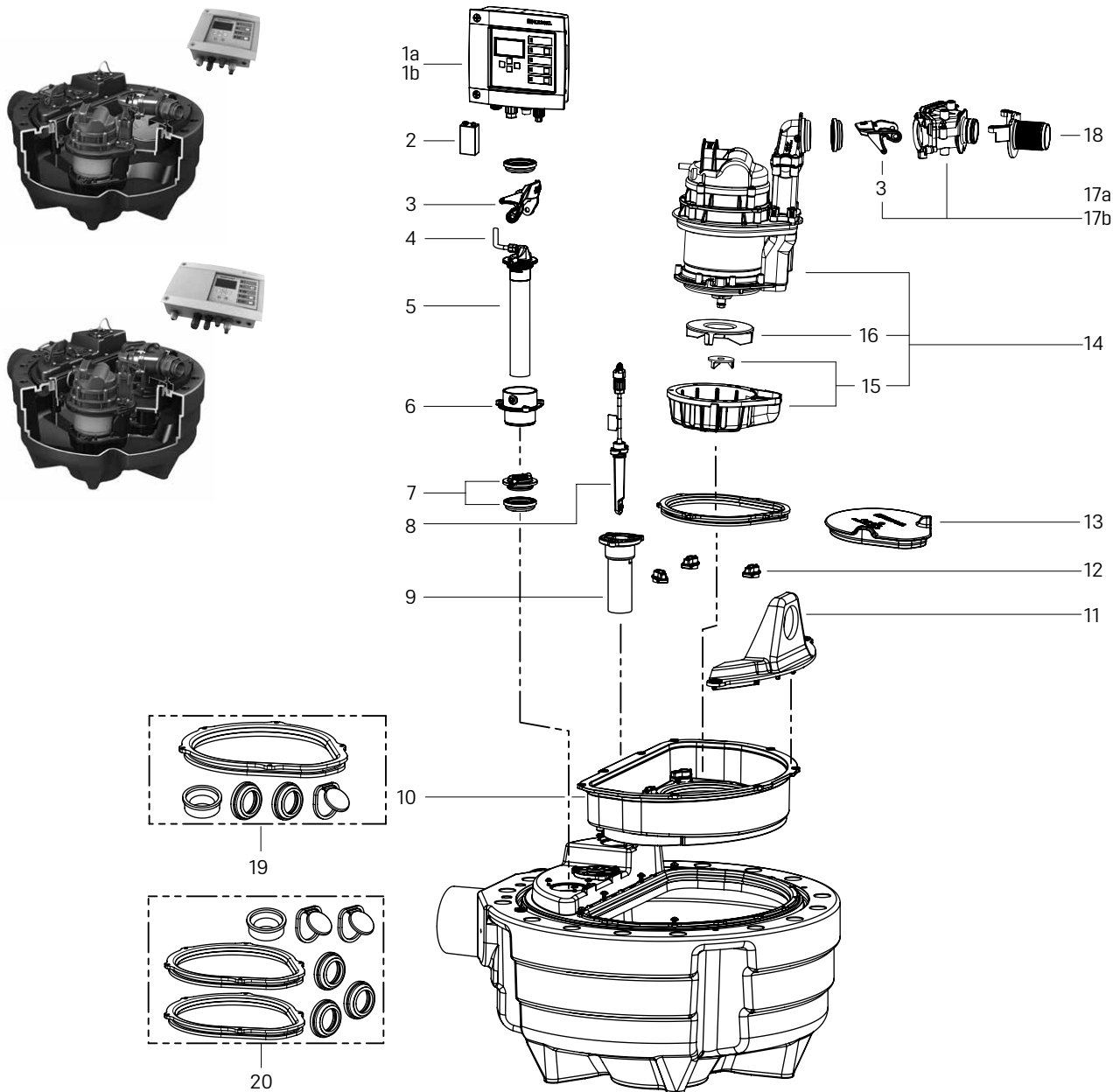


# Lifting station *Aqualift F Compact Mono/Duo*

Free-standing installation, beginning model year 04/2012



Item	Designation	Art. no.	Item	Designation	Art. no.
1	Control unit		11	Pressure connection bracket	680 119
1a	Comfort <i>Aqualift Mono</i> , 230 V	28 731	12	Turn fastener for pump (1 ea.)	680 070
1b	Comfort <i>Aqualift Duo</i> , 230 V	28 746	13	Cover, <i>Aqualift F Compact</i> pump opening	28 732
2	Battery, 9 V block	680 034	14a	Replacement pump KTP/SPZ 1000, 230 V	28 739
3	One-handed closure for backflow preventer	680 018	14b	Replacement pump SPZ 1000 resistant	680 951
4	Pressure hose, 6 × 4 mm, 100 natural (sold by the metre)	680 071	15	Replacement blade set for KTP 1000 / SPZ 1000, with screws	28 075
5	Immersion pipe <i>Aqualift F Compact</i> , 5 m hose, with horizontal pressure pipe connection	28 744	16	Impeller KTP/SPZ 1000, without intake cover	680 035
6	Immersion pipe connector	28 734	17	Pump coupling with one-handed closure	
7	Cover with seal	680 076	17a	Mono, beginning model year 01/2016	680 486
8	Optical probe with 3 adapters, 5 m cable	80 888	17b	Duo, beginning model year 01/2016	680 487
9	Splash protection set for optical probe	28 706	18	Threaded connection for <i>Aqualift F Compact</i>	680 676
10	Pump plate	28 733	19	Seal set for <i>Aqualift F Compact Mono</i>	680 453
			20	Seal set for <i>Aqualift F Compact Duo</i>	680 454