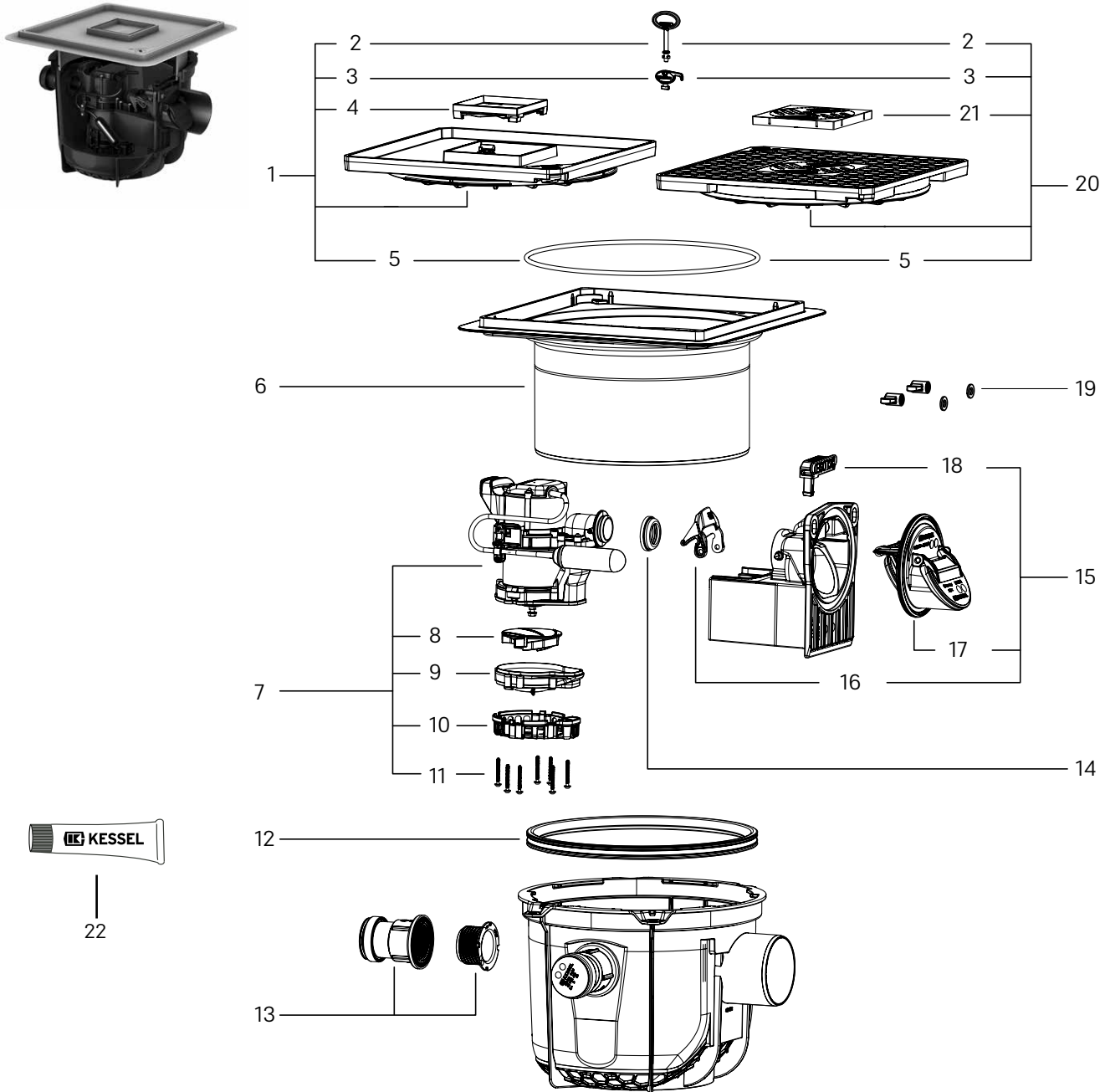


Backwater pumping station *Pumpfix S*

Installation in the floor slab, beginning model year 02/2020



Item	Designation	Art. no.	Item	Designation	Art. no.
1	Cover plate, tileable with drain, stone grey, with seal	830 054	12	Lip seal System 330	686 115
2	Release key for <i>Lock & Lift</i> cover plates	67 007	13	Inlet connection made of polymer Ø 50	39 005
3	Release key for <i>Lock & Lift</i> insert gratings	680 702	14	Seal for pressure pipe connection	680 067
4	Drain cover, tileable, <i>Lock & Lift</i> , ABS	680 224	15	Flap housing with 2 backwater flaps and emergency closure	680 829
5	Seal for cover plate, System 330 mm	686 114	16	One-handed closure for backflow preventer	680 018
6	Upper section, d: 300 mm, height up to 170 mm	830 061	17	Slide-in flap housing with two backwater flaps	680 884
7	Replacement pump GTF 500 with float switch	680 828	18	Emergency closure lever for flap housing, incl. seals	680 883
8	Multi-vane impeller for GTF 500	680 767	19	Wing and hexagon nut set comprising 2× M8 and 2 × M10	680 830
9	Spiral housing for GTF 500	680 768	20	Cover plate, black, with slotted grating and seal	830 053
10	Intake cage for GTF 500	680 770	21	Slotted insert grating, 138 × 138 mm, polymer	60 101S
11	Screw set for intake cage GTF 500	680 769	22	High-performance grease for backwater valves, 12 g	681 001