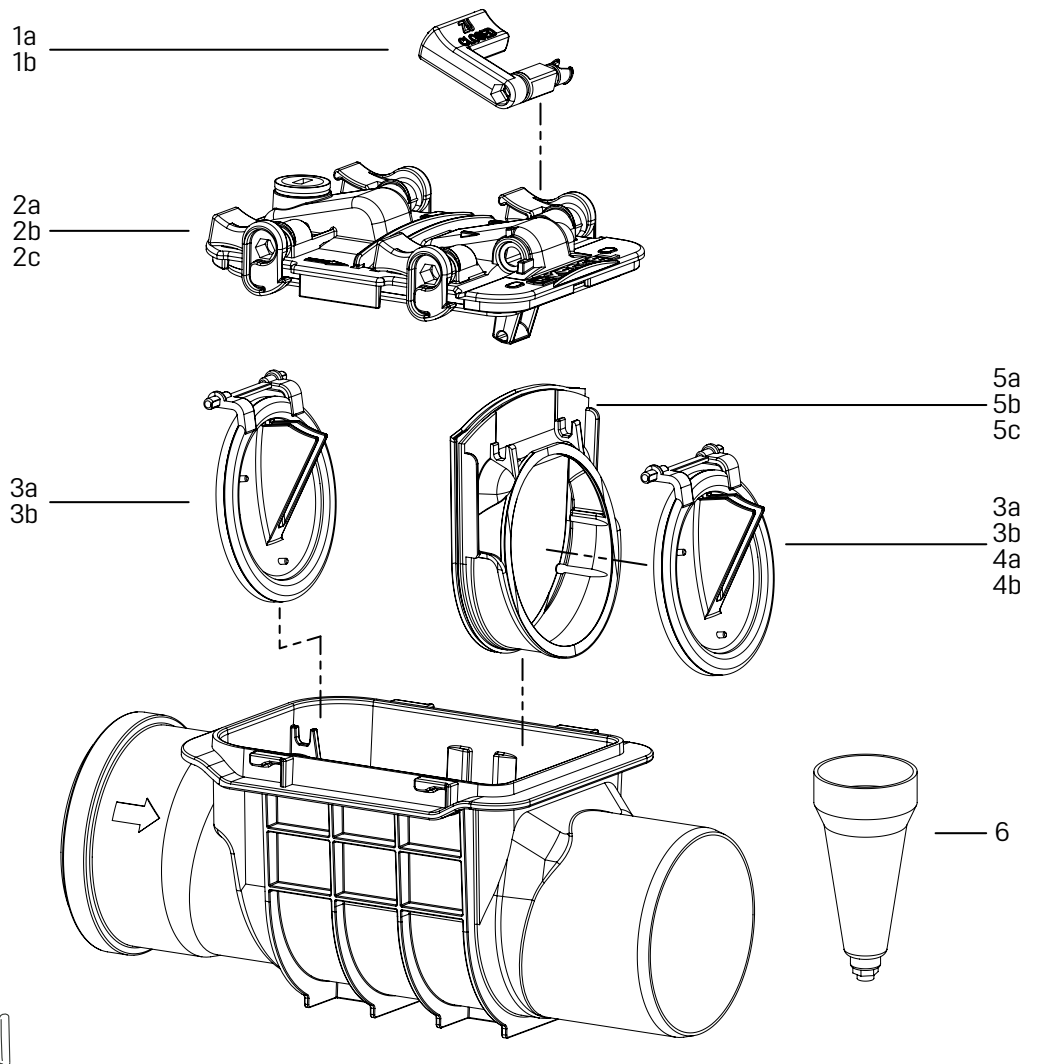


# Backwater valve *Staufix Basic*

Installation in an exposed wastewater pipe, beginning model year 04/2005, orange



Figure shows art. no. 73 100



Item	Designation	Art. no.
1	Emergency closure lever for <i>Staufix</i> incl. 2 × O-ring	
1a	Ø 110	680 063
1b	Ø 125/160	680 064
2	Lockable cover <i>Staufix</i> with emergency closure incl. seal	
2a	Ø 110	70 261
2b	Ø 125/160	70 262
2c	Ø 200	70 203
3	Backwater flap	
3a	Ø 110	70 231
3b	Ø 125/160	70 232

Item	Designation	Art. no.
4	Backwater flap with stainless steel cladding	
4a	Ø 110	70 233
4b	Ø 125/160	70 234
5	Slide-in flap housing incl. seal	
5a	Ø 110	70 241
5b	Ø 125/160	70 242
5c	and flap, Ø 200	70 205
6	Test funnel with seal	70 214
7	High-performance grease for backwater valves, 12 g	681 001