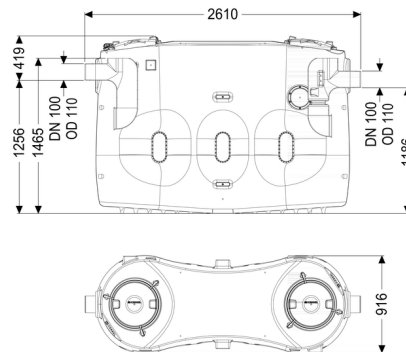


## Grease separator EasyClean free Basic, NS 10, Standard, universal



### Article information

Item no.: 94010.10  
 GTIN: 4026092084984  
 Price group: 60

### Description

The separator for greasy wastewater is suitable for free-standing set-up in frost-protected rooms and comes without metallic components in the tank. The collecting tank made of permanently resistant polymer (PE) is equipped with an integrated sludge trap.

Two odour-tight covers with quick-release closures allow for easy access for cleaning and maintenance work.

Manual disposal is carried out with the tank open.

20 year polyethylene warranty.

Installation situation: free-standing set-up

### Version:

Type of disposal:	manual with suction hose
Disposal variant:	Standard
Refill inlet in accordance with DIN 1988:	no
Nominal size (NS):	10
Inspection window:	no
Load-bearing capacity (DIN 19901):	F3

Delivery state: Installation-ready (connection parts must be connected on site)

**General characteristics:**

Material: PE

**Dimensions:**

Set-up area, length: 2,610 mm  
Set-up area, width: 920 mm  
Set-up area, height: 1,670 mm  
Required access area, length: 2,610 mm  
Required access area, width: 920 mm  
Required access area, height: 1,670 mm

**Tank:**

Inlet nominal size (DN): 150  
Inlet nominal size (OD): 160 mm  
Outlet nominal size (DN): 150  
Outlet nominal size (OD): 160 mm  
Distance pipe bottom inlet to tank bottom: 1,255 mm  
Distance pipe bottom outlet to tank bottom: 1,185 mm  
Pressure pipe connection (DN): 65 mm  
Pressure pipe connection (OD): 75 mm  
Nominal pressure (PN): 10  
Connection inlet/outlet sockets: PE-HD pipes in accordance with DIN 19537, HT pipes in accordance with DIN 19560, PP or AS

**Coverage features:**

Type of cover: Cover  
Cover material: Polymer  
Colour of cover: violet  
Tightness: odour-tight  
Locking: Quick-release closure

**Wastewater contents:**

Total volume: 1,880 l  
Contents of sludge trap: 1,000 l  
Storage quantity of grease: 400 l  
  
Max. grease layer thickness: 230 mm