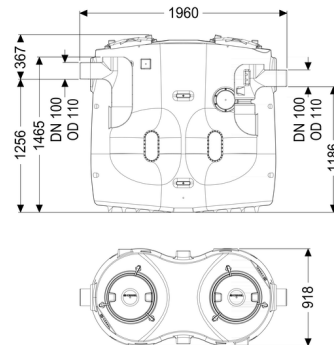


Grease separator EasyClean free Basic, NS 7, Standard, universal



Article information

Item no.: 94007.10
 GTIN: 4026092084977
 Price group: 60

Description

The separator for greasy wastewater is suitable for free-standing set-up in frost-protected rooms and comes without metallic components in the tank. The collecting tank made of permanently resistant polymer (PE) is equipped with an integrated sludge trap.

Two odour-tight covers with quick-release closures allow for easy access for cleaning and maintenance work.

Manual disposal is carried out with the tank open.

20 year polyethylene warranty.

Installation situation: free-standing set-up

Version:

Type of disposal:	manual with suction hose
Disposal variant:	Standard
Refill inlet in accordance with DIN 1988:	no
Nominal size (NS):	7
Inspection window:	no
Load-bearing capacity (DIN 19901):	F3

Delivery state: Installation-ready (connection parts must be connected on site)

General characteristics:

Material: PE

Dimensions:

Set-up area, length: 1,960 mm
Set-up area, width: 920 mm
Set-up area, height: 1,670 mm
Required access area, length: 1,960 mm
Required access area, width: 920 mm
Required access area, height: 1,670 mm

Tank:

Inlet nominal size (DN): 150
Inlet nominal size (OD): 160 mm
Outlet nominal size (DN): 150
Outlet nominal size (OD): 160 mm
Distance pipe bottom inlet to tank bottom: 1,255 mm
Distance pipe bottom outlet to tank bottom: 1,185 mm
Pressure pipe connection (DN): 65 mm
Pressure pipe connection (OD): 75 mm
Nominal pressure (PN): 10
Connection inlet/outlet sockets: PE-HD pipes in accordance with DIN 19537, HT pipes in accordance with DIN 19560, PP or AS

Coverage features:

Type of cover: Cover
Cover material: Polymer
Colour of cover: violet
Tightness: odour-tight
Locking: Quick-release closure

Wastewater contents:

Total volume: 1,370 l
Contents of sludge trap: 700 l
Storage quantity of grease: 280 l

Max. grease layer thickness: 230 mm