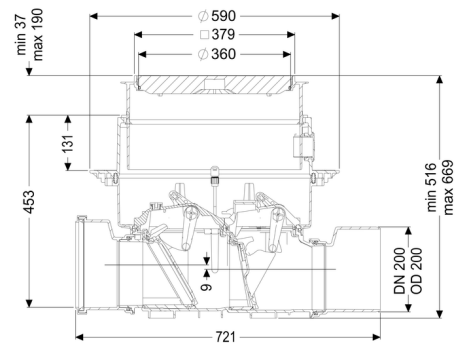
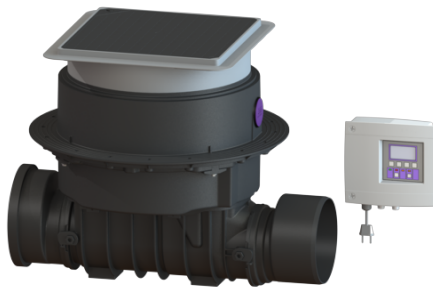


Staufix FKA automatic backwater valve DN 200, Floor slab, black



Article information

Item no.: 84200S
 GTIN: 4026092046432
 Price group: 30

Advantages

- Safe, motor-driven closure system with optical probe
- Fast, simple and toolless maintenance
- Available as a complete set or module set

Description

The Premium automatic backwater valve for faecal and faecal-free wastewater is equipped with a motor-driven closure system which is closed automatically in the event of backwater. A second closure system serves as an emergency closure to be closed by hand.

The station is controlled by a user-friendly control unit, which is optionally integrated in the building management system via a potential-free contact, or alarm and collective fault messages can be output via a GSM interface.

Thanks to the modular KESSEL system, existing systems can easily be converted to a Pumpfix F backwater pumping station.

Type of wastewater: wastewater with sewage
 Installation situation: floor slab installation

Version:

Type of waterproofing layer: Waterproofing layer
 Emergency closure: yes

Delivery state: Pre-mounted for final assembly on site (sensor system must be fitted on site and control unit must be connected)

Backwater protection: Type 3

| | |
|---|---|
| Number of mechanical backwater flaps: | 1 |
| Number of motor-driven backwater flaps: | 1 |

General characteristics:

| | |
|-----------------------|---------------------------------|
| Nominal size (DN): | 200 |
| Outer diameter (OD): | 200 |
| Note on nominal size: | Hydraulics correspond to DN 150 |
| Colour: | black |
| Standard: | EN 13564 |

Dimensions:

| | |
|---------------------------|--------|
| Length: | 720 mm |
| Width: | 590 mm |
| Cutout dimension, length: | 750 mm |
| Cutout dimension, width: | 750 mm |

Tank:

| | |
|--|--------------|
| Installation depth: | 486 - 640 mm |
| Groundwater resistant from lower edge of base section: | 3,000 mm |

Drain body:

| | |
|----------------------|-------------------------------------|
| Socket version: | including spigot and socket |
| Vertical adjustment: | vertically adjustable upper section |

Coverage features:

| | |
|------------------|-------------------------|
| Type of cover: | Cover plate |
| Cover material: | Polymer |
| Colour of cover: | black |
| Load class: | L 15 (EN 1253-1) |
| Length: | 366 mm |
| Width: | 366 mm |
| Tightness: | surface water resistant |
| Locking: | Lock & Lift |

| | |
|---|----------------|
| Vertical drop between inlet and outlet: | 9 mm |
| Cable length: | 5 m |
| Motor type: | KSM 140 |
| Protection class motor: | IP 68 (3m/48h) |
| Protection class probe: | IP 68 (3m/48h) |

Control:

| | |
|---|---------------|
| Control unit: | Comfort |
| Operating voltage: | 230 V |
| Mains frequency: | 50 Hz |
| Self-diagnosis system (SDS): | yes |
| Battery buffering: | yes |
| Multi-line display: | yes |
| Log book function: | yes |
| USB interface: | yes |
| GSM interface: | yes |
| Potential-free contact: | optional |
| Protection class control unit: | IP 54 |
| Length of mains cable for control unit: | 1.4 m |
| Type of level measurement: | optical |
| Level measurement instrument: | optical probe |
| Alarm sensor: | optical probe |