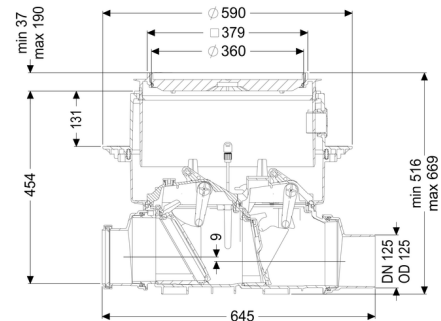


## Staufix FKA automatic backwater valve DN 125, Floor slab, tileable



### Article information

Item no.: 84125X  
 GTIN: 4026092046456  
 Price group: 30

### Advantages

- Safe, motor-driven closure system with optical probe
- Fast, simple and toolless maintenance
- Available as a complete set or module set

### Description

The Premium automatic backwater valve for faecal and faecal-free wastewater is equipped with a motor-driven closure system which is closed automatically in the event of backwater. A second closure system serves as an emergency closure to be closed by hand.

The station is controlled by a user-friendly control unit, which is optionally integrated in the building management system via a potential-free contact, or alarm and collective fault messages can be output via a GSM interface.

Thanks to the modular KESSEL system, existing systems can easily be converted to a Pumpfix F backwater pumping station.

Type of wastewater: wastewater with sewage  
 Installation situation: floor slab installation

### Version:

Type of waterproofing layer: Waterproofing layer  
 Emergency closure: yes

Delivery state: Pre-mounted for final assembly on site (sensor system must be fitted on site and control unit must be connected)

Backwater protection: Type 3

Number of mechanical backwater flaps: 1  
Number of motor-driven backwater flaps: 1

### General characteristics:

Nominal size (DN): 125  
Outer diameter (OD): 125  
Colour: black  
Standard: EN 13564

### Dimensions:

Length: 645 mm  
Width: 590 mm  
Cutout dimension, length: 750 mm  
Cutout dimension, width: 750 mm

### Tank:

Installation depth: 486 - 640 mm  
Groundwater resistant from lower edge of base section: 3,000 mm

### Drain body:

Socket version: including spigot and socket  
Vertical adjustment: vertically adjustable upper section

### Coverage features:

Type of cover: tileable cover plate  
Cover material: Polymer  
Max. flooring height: 16 mm  
Load class: K 3 (EN 1253-1)  
Length: 366 mm  
Width: 366 mm  
Tightness: surface water resistant  
Locking: Lock & Lift  
Vertical drop between inlet and outlet: 9 mm  
Cable length: 5 m  
Motor type: KSM 140  
Protection class motor: IP 68 (3m/48h)  
Protection class probe: IP 68 (3m/48h)

**Control:**

Control unit:	Comfort
Operating voltage:	230 V
Mains frequency:	50 Hz
Self-diagnosis system (SDS):	yes
Battery buffering:	yes
Multi-line display:	yes
Log book function:	yes
USB interface:	yes
GSM interface:	yes
Potential-free contact:	optional
Protection class control unit:	IP 54
Length of mains cable for control unit:	1.4 m
Type of level measurement:	optical
Level measurement instrument:	optical probe
Alarm sensor:	optical probe