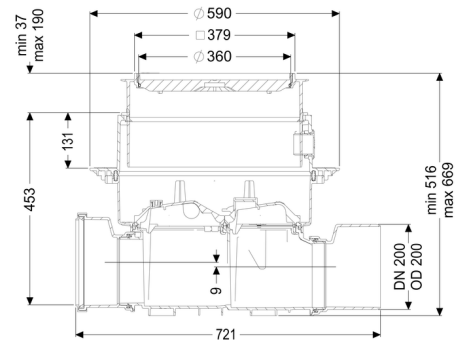
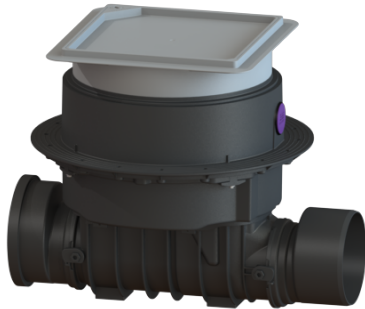


## Controlfix clean out DN 200, Floor slab, tileable



### Article information

Item no.: 80200X  
 GTIN: 4026092046654  
 Price group: 30

### Advantages

- Simple conversion to Staufix SWA
- Staufix FKA or Pumpfix F
- Fast
- toolless access for cleaning
- Available as a complete set or module set

### Description

The Premium clean out for faecal and faecal-free wastewater makes easy access to wastewater pipes possible for inspection and maintenance work.

Thanks to the modular KESSEL system, existing systems can easily be converted to a Staufix SWA Premium backwater valve, Staufix FKA or Pumpfix F backwater pumping station.

Type of wastewater:

wastewater with and without sewage

Installation situation:

floor slab installation

### Version:

Type of waterproofing layer:

Waterproofing layer

Delivery state:

Installation-ready (connection parts must be connected on site)

### General characteristics:

Nominal size (DN):

200

Outer diameter (OD):

200

Note on nominal size:

Hydraulics correspond to DN 150

Colour: black

#### Dimensions:

Length: 486 mm  
Width: 590 mm  
Cutout dimension, length: 750 mm  
Cutout dimension, width: 750 mm

#### Tank:

Installation depth: 486 - 640 mm  
Groundwater resistant from lower edge of base section: 3,000 mm

#### Drain body:

Socket version: including spigot and socket  
Vertical adjustment: vertically adjustable upper section

#### Coverage features:

Type of cover: tileable cover plate  
Cover material: Polymer  
Max. flooring height: 16 mm  
Load class: K 3 (EN 1253-1)  
Length: 366 mm  
Width: 366 mm  
Tightness: surface water resistant  
Locking: Lock & Lift  
Vertical drop between inlet and outlet: 9 mm