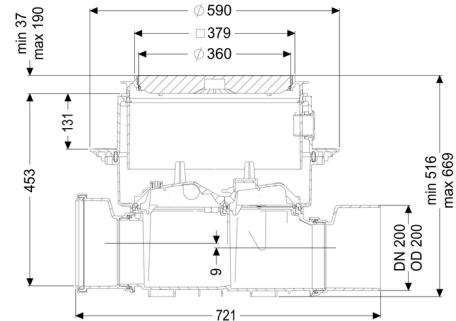


Controlfix clean out DN 200, Floor slab, black



Article information

Item no.: 80200S
 GTIN: 4026092046647
 Price group: 30

Advantages

- Simple conversion to Staufix SWA
- Staufix FKA or Pumpfix F
- Fast
- toolless access for cleaning
- Available as a complete set or module set

Description

The Premium clean out for faecal and faecal-free wastewater makes easy access to wastewater pipes possible for inspection and maintenance work.

Thanks to the modular KESSEL system, existing systems can easily be converted to a Staufix SWA Premium backwater valve, Staufix FKA or Pumpfix F backwater pumping station.

Type of wastewater: wastewater with and without sewage
 Installation situation: floor slab installation

Version:

Type of waterproofing layer: Waterproofing layer
 Delivery state: Installation-ready (connection parts must be connected on site)

General characteristics:

Nominal size (DN): 200
 Outer diameter (OD): 200
 Note on nominal size: Hydraulics correspond to DN 150

Colour: black

Dimensions:

Length: 486 mm
Width: 590 mm
Cutout dimension, length: 750 mm
Cutout dimension, width: 750 mm

Tank:

Installation depth: 486 - 640 mm
Groundwater resistant from lower edge of base section: 3,000 mm

Drain body:

Socket version: including spigot and socket
Vertical adjustment: vertically adjustable upper section

Coverage features:

Type of cover: Cover plate
Cover material: Polymer
Colour of cover: black
Load class: L 15 (EN 1253-1)
Length: 366 mm
Width: 366 mm
Tightness: surface water resistant
Locking: Lock & Lift
Vertical drop between inlet and outlet: 9 mm