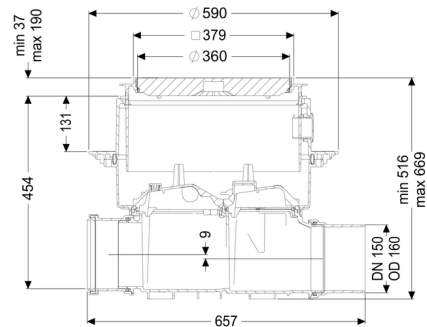


## Controlfix clean out DN 150, Floor slab, black



### Article information

Item no.: 80150S  
 GTIN: 4026092004098  
 Price group: 30

### Advantages

- Simple conversion to Staufix SWA
- Staufix FKA or Pumpfix F
- Fast
- toolless access for cleaning
- Available as a complete set or module set

### Description

The Premium clean out for faecal and faecal-free wastewater makes easy access to wastewater pipes possible for inspection and maintenance work.

Thanks to the modular KESSEL system, existing systems can easily be converted to a Staufix SWA Premium backwater valve, Staufix FKA or Pumpfix F backwater pumping station.

Type of wastewater: wastewater with and without sewage  
 Installation situation: floor slab installation

### Version:

Type of waterproofing layer: Waterproofing layer  
 Delivery state: Installation-ready (connection parts must be connected on site)

### General characteristics:

Nominal size (DN): 150  
 Outer diameter (OD): 160  
 Colour: black

**Dimensions:**

Length:	486 mm
Width:	590 mm
Cutout dimension, length:	750 mm
Cutout dimension, width:	750 mm

**Tank:**

Installation depth:	486 - 640 mm
Groundwater resistant from lower edge of base section:	3,000 mm

**Drain body:**

Socket version:	including spigot and socket
Vertical adjustment:	vertically adjustable upper section

**Coverage features:**

Type of cover:	Cover plate
Cover material:	Polymer
Colour of cover:	black
Load class:	L 15 (EN 1253-1)
Length:	366 mm
Width:	366 mm
Tightness:	surface water resistant
Locking:	Lock & Lift
Vertical drop between inlet and outlet:	9 mm