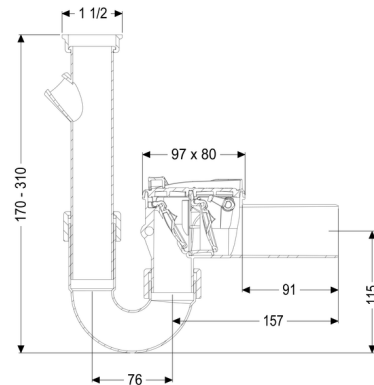


## Backwater valve Staufix Siphon, DN 50, Washing machine, Type 5



### Article information

Item no.: 73052  
 GTIN: 4026092027615  
 Price group: 10

### Advantages

- Ideal for modernisation: can also be installed in existing pipes later
- Simple, toolless maintenance and cleaning
- Corrosion-free

### Description

The backwater valve for wastewater without sewage is equipped with two mechanical flaps which close automatically in the event of backwater. One flap serves at the same time as an emergency closure to be closed by hand.

Type of wastewater: wastewater without sewage  
 Installation situation: installation as washing machine connection

### Version:

Emergency closure: yes  
 Delivery state: installation-ready  
 Backwater protection: Type 5  
 Number of mechanical backwater flaps: 2

### General characteristics:

Nominal size (DN): 50  
 Colour: white  
 Standard: EN 13564

### Dimensions:

Length:	260 mm
Width:	80 mm
Height:	310 mm
Cover locking:	One-handed closure