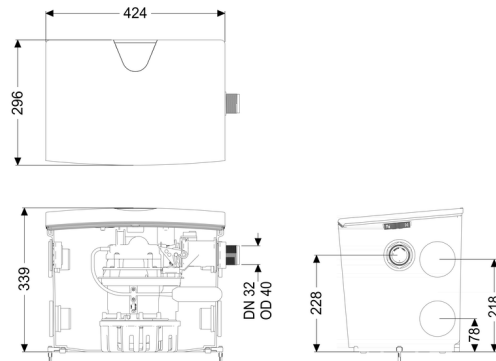
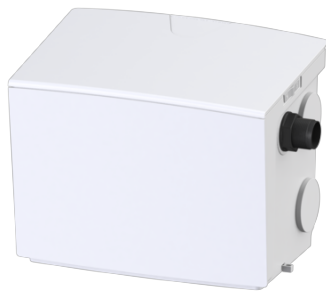


## Lifting station Minilift S GTF1000, resistant, free-standing set-up



### Article information

Item no.: 28563C  
 GTIN: 4026092097021  
 Price group: 20

### Description

Type of wastewater: wastewater without sewage  
 Installation situation: free-standing set-up

### Version:

Type of system: Single station  
 Pump control: Float switch  
 Backflow preventer: integrated  
 Resistant: Resistant to saline media, wastewater from water softening systems and wastewater containing condensate from heating systems  
 Ventilation: Activated carbon filter  
 Delivery state: plug-in ready

### General characteristics:

Colour: white  
 Standard: EN 12050-2

### Dimensions:

Length: 425 mm

Width: 300 mm  
Height: 340 mm

#### Tank:

Number of inlets: 5 ST  
Inlet nominal size (DN): 40, 50  
Tank volume: 30 l  
Pumping volume: 7 l  
Pressure pipe connection: horizontal  
Pressure pipe connection (DN): 32 mm  
Pressure pipe connection (OD): 40 mm

Free passage: 10 mm

#### Pumping device:

Pump: GTF 1000 resistant  
Number of pumps: 1  
Max. pumping capacity: 14.5 m<sup>3</sup>/h  
Max. pumping height: 10 m  
Operating voltage: 230 V  
Mains frequency: 50 Hz  
Operating mode: S3 - 50 %  
Power P1: 1.27 kW  
Power P2: 0.73 kW  
Speed: 2,800 U/min  
Type of fuse required (electrical protection): C 16 A  
Max. temperature (permanent) of conveyed material: 40 °C  
Hot water resistance for a short time (2 min): 80 °C  
Connection type: Schuko (earthed contact) 2-pin  
Weight: 10 kg  
Impeller type: Multi-vane impeller  
Length of mains cable for pump: 5 m  
Rated current: 5.6 A  
Protection class (pump): IP 68 (3m)  
Protection class: I  
Type of pump connection cable: H07RN-F 3G 1.0 mm<sup>2</sup>  
Temperature monitoring: integrated

#### Control:

Type of level measurement: mechanical  
Level measurement instrument: Float switch