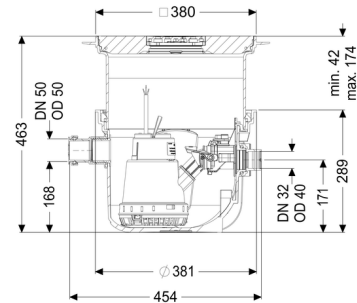


## Lifting station Minilift S KTP 300, resistant, Floor slab, black



### Article information

Item no.: 280570SC  
 GTIN: 4026092093511  
 Price group: 20

### Advantages

- Space-saving installation in the floor slab
- System ready to plug in
- Easy maintenance

### Description

The ready to plug in small lifting station for faecal-free wastewater is suitable for wastewater drainage of individual sanitary appliances. The submersible pump with float switch can be removed easily with the help of one-handed closures. The collection tank made of polymer (PE) has an open pump tank and is resistant to aggressive wastewater. The system for installation in the floor slab is preassembled for final installation on site.

- with telescopic upper section for continuously adjustable height and level compensation and integrated floor drain
- bottom section made of PP, resistant to aggressive wastewater
- system resistant to saline media and condensate from condensing boiler systems
- including backflow preventer for the pressure pipe
- including DN 50 sockets for inlet and cable conduit
- pump with multi-vane impeller for maximum operating reliability
- including float switch for level measurement

Type of wastewater: wastewater without sewage  
 Installation situation: floor slab installation

### Version:

Type of system: Single station  
 Pump control: Float switch  
 Backflow preventer: integrated

Resistant: Resistant to saline media, wastewater from water softening systems and wastewater containing condensate from heating systems

Delivery state: Installation-ready (connection parts must be connected on site)

### General characteristics:

Colour: grey  
Standard: EN 12050-2

### Dimensions:

Length: 460 mm  
Width: 380 mm

### Tank:

Inlet nominal size (DN): 50  
Tank volume: 26 l  
Pumping volume: 7 l  
Pressure pipe connection (DN): 32 mm  
Pressure pipe connection (OD): 40 mm  
Installation depth: 330 - 460 mm

Vertical adjustment: vertically adjustable upper section

### Coverage features:

Type of cover: Cover plate with slotted cover  
Cover material: Polymer  
Colour of cover: silver grey  
Load class: K 3 (EN 1253-1)  
Length: 366 mm  
Width: 366 mm  
Locking: Lock & Lift  
Free passage: 10 mm

### Pumping device:

Number of pumps: 1  
Max. pumping capacity: 8 m<sup>3</sup>/h  
Max. pumping height: 6 m  
Operating voltage: 230 V

Mains frequency:	50 Hz
Operating mode:	S1
Power P1:	0.34 kW
Power P2:	0.21 kW
Speed:	2,800 U/min
Type of fuse required (electrical protection):	C 16 A
Max. temperature (permanent) of conveyed material:	40 °C
Connection type:	Schuko (earthed contact) 2-pin
Weight:	4 kg
Impeller type:	Multi-vane impeller
Length of mains cable for pump:	5 m
Rated current:	1.6 A
Protection class (pump):	IP 68 (3m)
Protection class:	I
Type of pump connection cable:	H07RN-F 3G 1.0 mm <sup>2</sup>
Temperature monitoring:	integrated
Insulation class:	F

**Control:**

Motor protection switch:	yes
Type of level measurement:	mechanical
Level measurement instrument:	Float switch