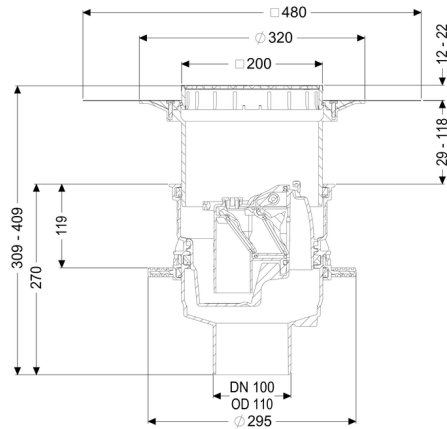
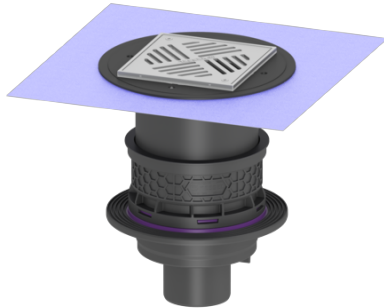


Universal Plus basement drain ver., Variofix, Backw. valve, Waterpr. concr.



Article information

Item no.: 27651
 GTIN: 4026092096888
 Price group: 10

Description

The polymer Universal Plus basement drain is used for drainage of non-faecal wastewater and is equipped with a removable backwater valve with two backwater flaps and a one hand-lockable emergency closure. Including temporary protective cover.

The drain is pressure-waterproof up to 0.6 bar (MFPA Leipzig tested) and radon-tight (IAF Radioökologie GmbH tested).

Type of wastewater: wastewater without sewage
 Installation situation: floor slab installation

Version:

Type of waterproofing layer:	Waterproofing layer
Emergency closure:	yes
Waterproofing layer on the upper section:	Enclosed sealing collar to be glued (bd) according to DIN 18534
Water exposure class in accordance to DIN 18534-1 (up to and including):	W3-I
Sealing water height:	60 mm
Backwater protection:	Type 5
Number of mechanical backwater flaps:	2

General characteristics:

Nominal size (DN):	100
Colour:	black
Standard:	EN 1253, EN 13564

Dimensions:

Height:	270 mm
Cutout dimension, length:	310 mm
Cutout dimension, width:	310 mm
Diameter:	295 mm

Tank:

Installation depth:	309 - 408 mm
---------------------	--------------

Drain body:

Socket version:	vertical
Vertical adjustment:	vertically adjustable upper section
Adjustment range:	12 - 28 mm

Coverage features:

Type of cover:	Slotted cover made of stainless steel
Cover material:	304 stainless steel
Colour of cover:	silver
Load class:	K 3 (EN 1253-1)
Length:	200 mm
Width:	200 mm
Height:	25 mm

Discharge rate (l/s) with 10 mm backwater:	1,6 l/s
Discharge rate (l/s) with 20 mm backwater:	1.7 l/s