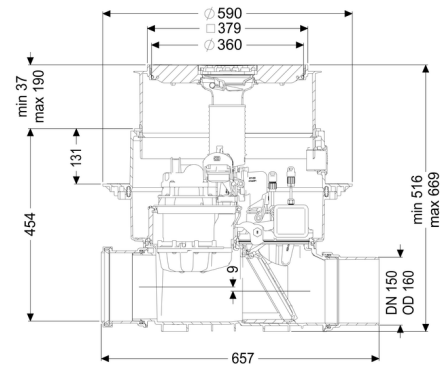


Backwater pumping station, Pumpfix F DN 150, Floor slab, black



Article information

Item no.: 24150S
 GTIN: 4026092046562
 Price group: 30

Advantages

- Backwater pumping station: uses the natural fall to the sewer - pump is only used for backwater
- Flexible installation, different covers with drain function available for installation in the floor slab
- Quiet and energy-saving

Description

The premium backwater pumping station for faecal and non-faecal wastewater is equipped with a pump and a motor-driven closure system.

The pipe cross-section is normally open. In case of backwater, the motor-driven closure system is closed automatically. During the backwater phase, the water drains via the pump with integrated macerator.

The station is controlled by a user-friendly control unit, which is optionally integrated in the building management system via a potential-free contact, or alarm and collective fault messages can be output via a GSM interface.

Type of wastewater: wastewater with sewage
 Installation situation: floor slab installation

Version:

Odour trap: Multistop
 Emergency closure: yes
 Pump control: Control unit

| | |
|---|--|
| Delivery state: | Pre-mounted for final assembly on site (pumps and sensor system must be fitted on site and control unit must be connected) |
| Number of motor-driven backwater flaps: | 1 |

General characteristics:

| | |
|----------------------|------------|
| Nominal size (DN): | 150 |
| Outer diameter (OD): | 160 |
| Colour: | black |
| Approval: | Z-53.2-388 |

Dimensions:

| | |
|---------------------------|--------|
| Length: | 656 mm |
| Width: | 590 mm |
| Cutout dimension, length: | 750 mm |
| Cutout dimension, width: | 750 mm |

Tank:

| | |
|--|--------------|
| Installation depth: | 486 - 640 mm |
| Groundwater resistant from lower edge of base section: | 3000 mm |

Drain body:

| | |
|----------------------|-------------------------------------|
| Socket version: | including spigot and socket |
| Vertical adjustment: | vertically adjustable upper section |

Coverage features:

| | |
|--------------------|--------------------------------|
| Type of cover: | Cover plate with slotted cover |
| Cover material: | Polymer |
| Colour of cover: | black |
| Drainage function: | yes |
| Load class: | L 15 (EN 1253-1) |
| Length: | 366 mm |
| Width: | 366 mm |
| Locking: | Lock & Lift |

Pumping device:

| | |
|--|--------------------------------|
| Pump: | SPZ 1000 |
| Number of pumps: | 1 |
| Max. pumping capacity: | 11.5 m ³ /h |
| Max. pumping height: | 10 m |
| Operating mode: | S3 - 50 % |
| Power P1: | 1.2 kW |
| Power P2: | 0.69 kW |
| Speed: | 2,800 U/min |
| Type of fuse required (electrical protection): | C 16 A |
| Max. temperature (permanent) of conveyed material: | 40 °C |
| Connection type: | coded plug |
| Weight: | 10 kg |
| Impeller type: | Macerator |
| Length of mains cable for pump: | 5 m |
| Rated current: | 5.2 A |
| Protection class (pump): | IP 68 (3m/48h) |
| Protection class: | I |
| Type of pump connection cable: | H07RN-F 3G 1.0 mm ² |
| Temperature monitoring: | integrated |
| Cos phi - power factor: | 0.97 |
| Insulation class: | F |
| Vertical drop between inlet and outlet: | 9 mm |
| Motor type: | KSM 140 |
| Protection class motor: | IP 68 (3m/48h) |
| Protection class probe: | IP 68 (3m/48h) |

Control:

| | |
|---|---------------|
| Control unit: | Comfort |
| Operating voltage: | 230 V |
| Mains frequency: | 50 Hz |
| Self-diagnosis system (SDS): | yes |
| Battery buffering: | yes |
| Multi-line display: | yes |
| Log book function: | yes |
| USB interface: | yes |
| GSM interface: | yes |
| Potential-free contact: | optional |
| Protection class control unit: | IP 54 |
| Length of mains cable for control unit: | 1.4 m |
| Type of level measurement: | optical |
| Level measurement instrument: | optical probe |
| Alarm sensor: | optical probe |