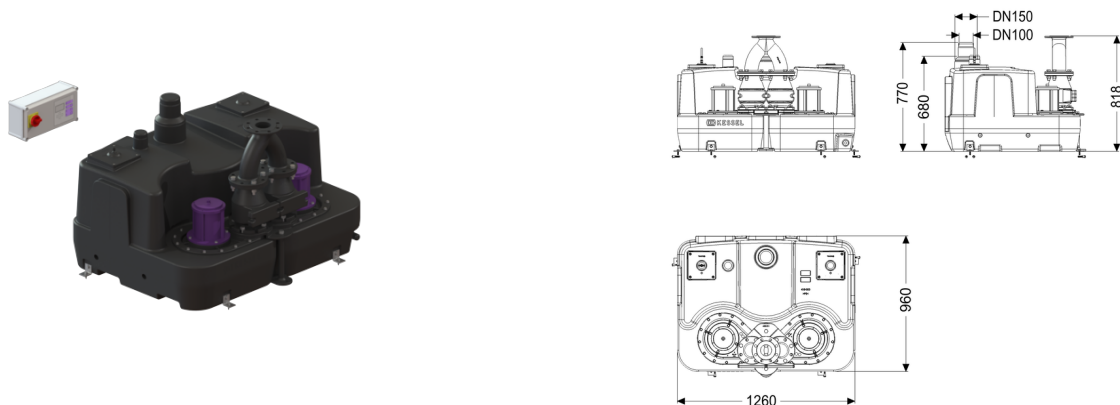


Lifting station Aqualift F XL, 450 l Duo, SPF 4500-S1



Article information

Item no.: 11126
 GTIN: 4026092057933
 Price group: 50

Advantages

- Different performance classes available
- Pressure sensor for reliable pneumatic level measurement
- Maximum operating reliability due to intelligent control unit

Description

The lifting station for faecal and faecal-free wastewater is equipped with a submersible pump and a backflow preventer. The collection tank made of permanently resistant polymer (PE) offers universal connection options and has a screwed access cover.

The station is controlled by a user-friendly control unit, which can be optionally integrated in the building management system via a potential-free contact or alarm and collective fault messages can be output via a GSM interface (Comfort control unit).

Type of wastewater: wastewater with sewage
 Installation situation: free-standing set-up

Version:

Type of system: Twin pump station

General characteristics:

Colour: black
 Standard: EN 12050-1

Tank:

Tank volume: 450 l
Pressure pipe connection: vertical

Pumping device:

Pump: SPF 4500
Number of pumps: 2
Operating mode: S1
Type of fuse required (electrical protection): 3 x C 25 A
Impeller type: Multi-vane impeller
Length of mains cable for pump: 5 m

Control:

Control unit: Comfort
Operating voltage: 400 V
Mains frequency: 50 Hz
Type of level measurement: pneumatic
Level measurement instrument: Immersion pipe